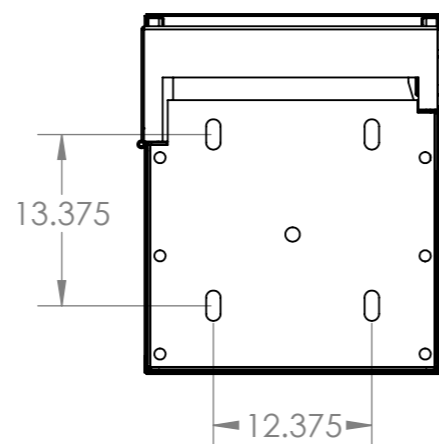
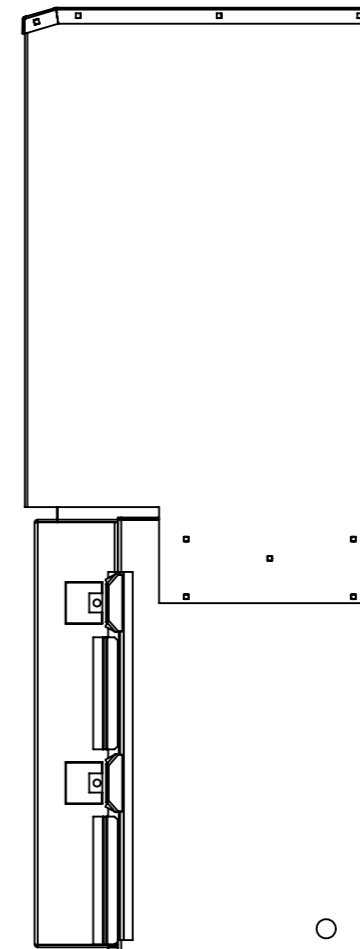
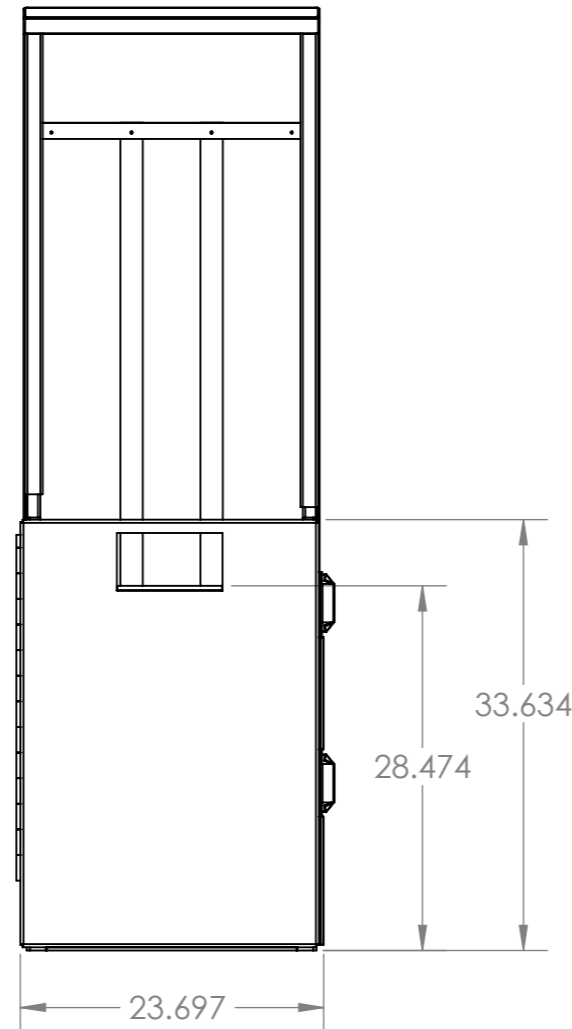
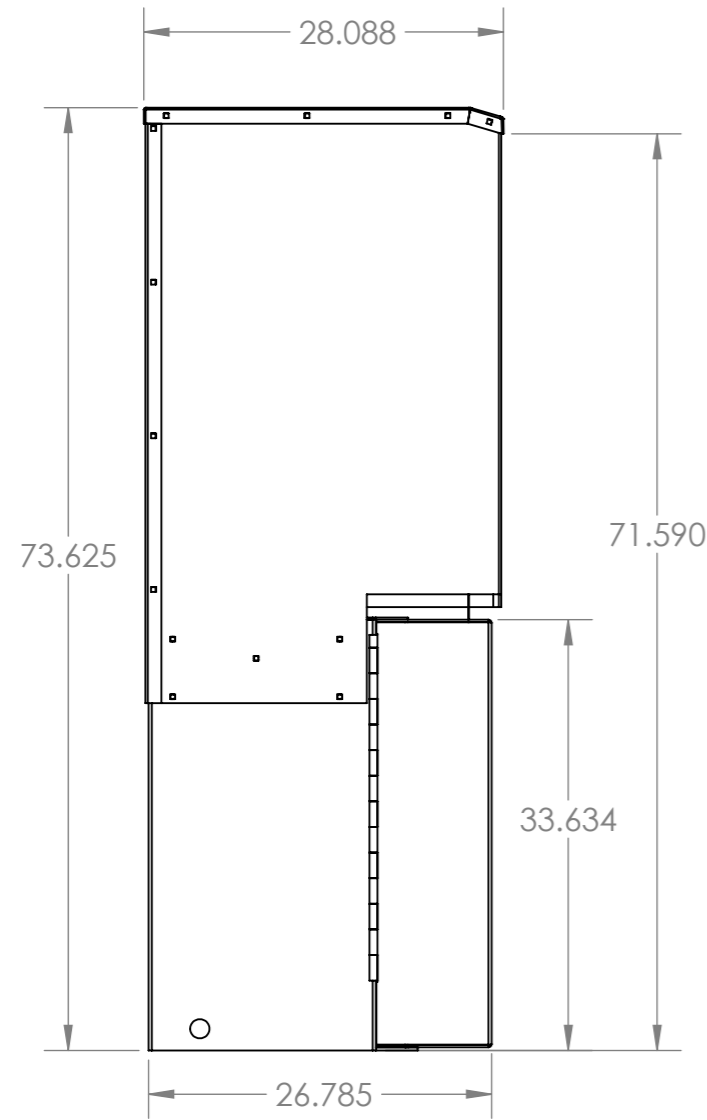


REVISION CHANGES:



FITS ATM MODELS 1500, 1700, 1900 AND 2500

LAST SAVED DATE: 5/11/2015

UNLESS OTHERWISE SPECIFIED: DIMENSIONS ARE IN INCHES SURFACE FINISH: TOLERANCES: 3 PLC ±.005 LINEAR: 2 PLC ±.010 ANGULAR: ±1°		FINISH: PAINT	DEBUR AND BREAK SHARP EDGES	TPI 972-276-2901 FAX 972-276-3451 1136 N. FIRST ST. GARLAND, TX. 75040 www.tpitexas.com	
DRAWN	NAME	SIGNATURE	DATE	TITLE: ATM UNIVERSAL/ATM-ODF TALL DOOR, FLAT ASM	
CHK'D				DWG NO.	
APPV'D				ATM-TD-ODF ASM Dimension	
MFG				A3	
Q.A				SHEET 1 OF 1	
				REVISION -	
				WEIGHT:	