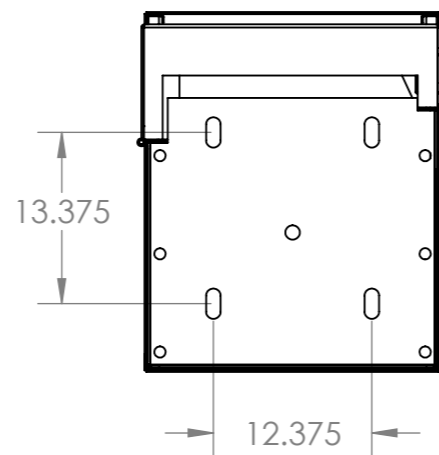
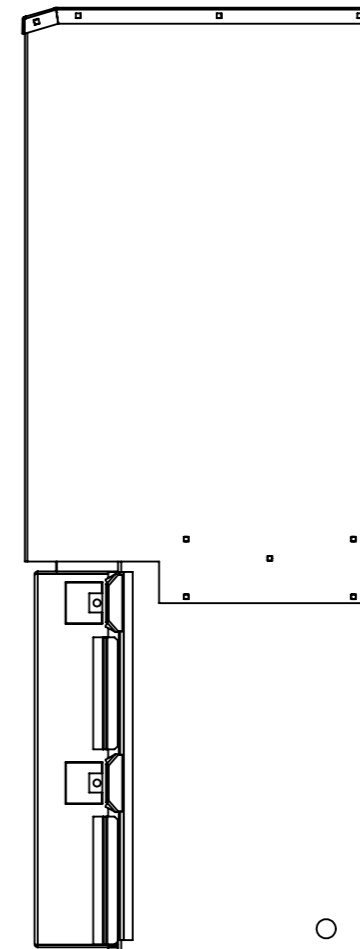
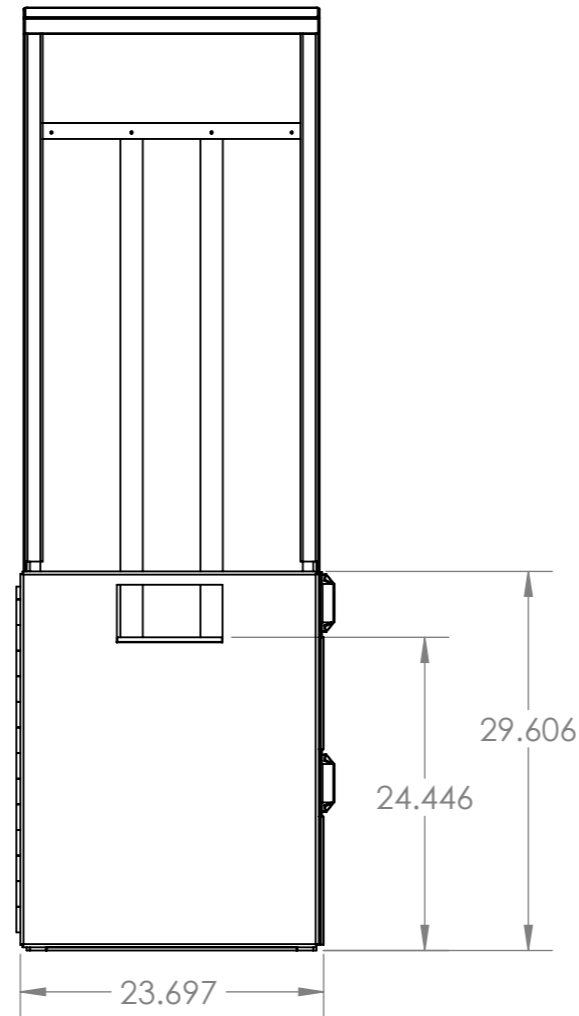
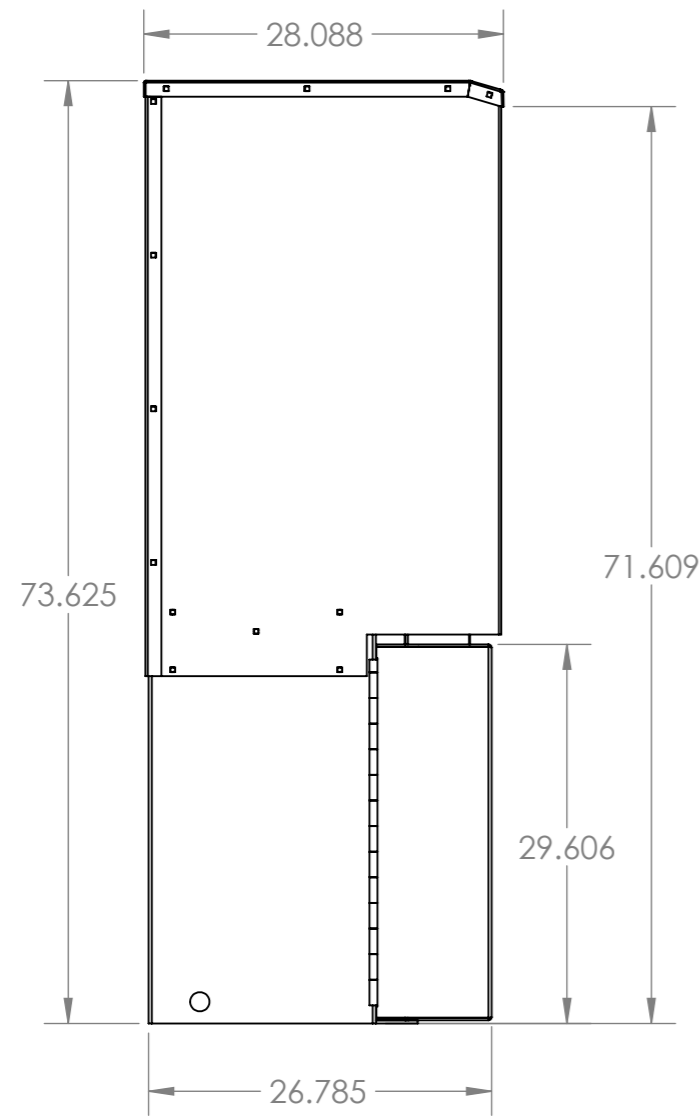


REVISION CHANGES:



FITS ATM MODELS 1800, 2700 AND HALO

LAST SAVED DATE: 5/12/2015

UNLESS OTHERWISE SPECIFIED: DIMENSIONS ARE IN INCHES SURFACE FINISH: TOLERANCES: 3 PLC ±.005 LINEAR: 2 PLC ±.010 ANGULAR: ±1°		FINISH:  PAINT	DEBUR AND BREAK SHARP EDGES	<b>TPI</b> 972-276-2901 FAX 972-276-3451 1136 N. FIRST ST. GARLAND, TX. 75040 www.tpitexas.com	
DRAWN	NAME	SIGNATURE	DATE	TITLE: ATM UNIVERSAL/ATM-ODF SHORT DOOR, FLAT ASM	
CHK'D				DO NOT SCALE DRAWING	
APPV'D				SCALE: 1:15	
MFG				MATERIAL:	
Q.A				DWG NO. ATM-SD-ODF ASM Dimension	
				SHEET 1 OF 1	
				REVISION -	

A3