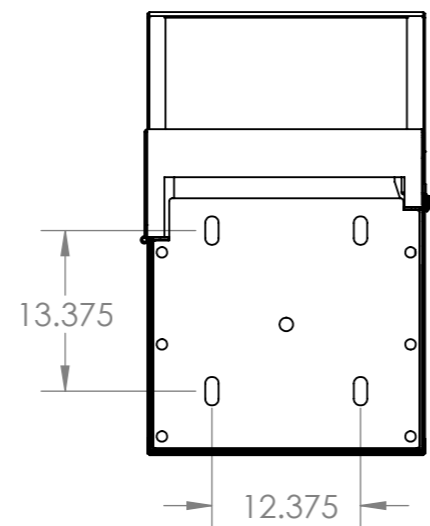
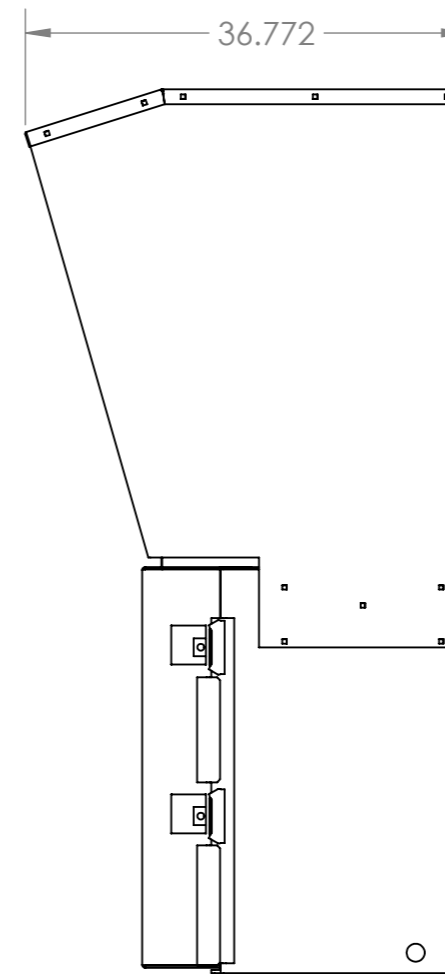
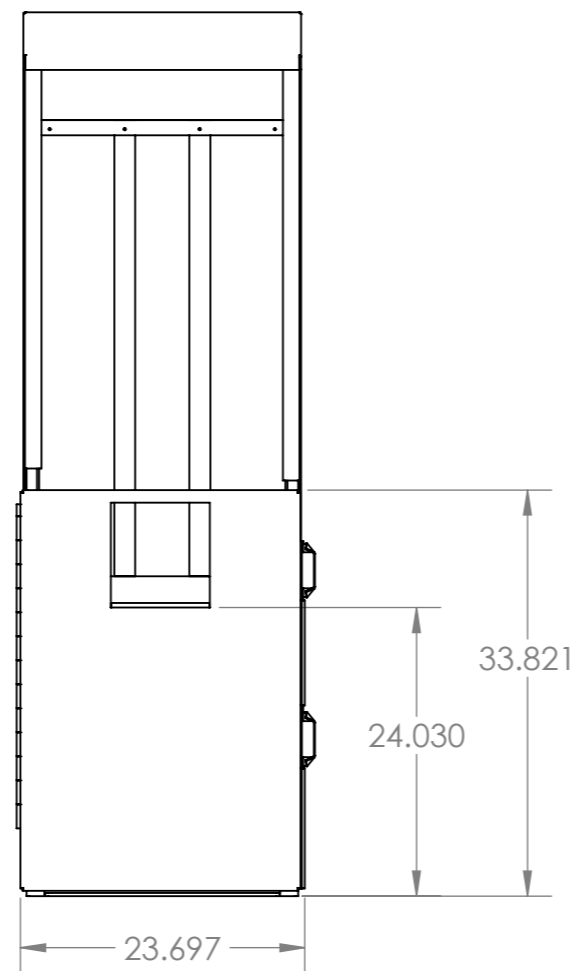
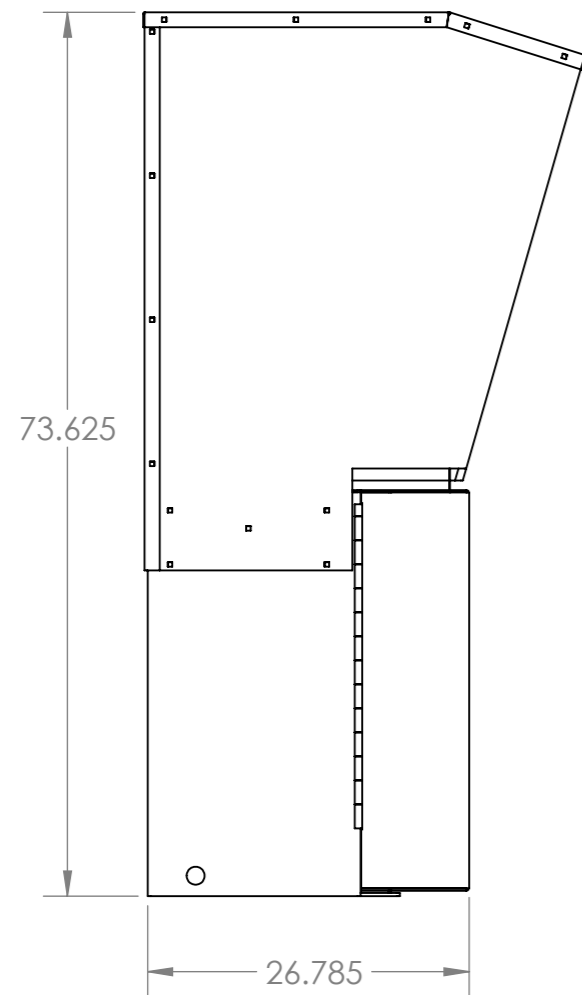


REVISION CHANGES:



LAST SAVED DATE: 9/12/2016

TPI
 972-276-2901 FAX 972-276-3451
 1136 N. FIRST ST. GARLAND, TX. 75040
 www.tpitexas.com

UNLESS OTHERWISE SPECIFIED: DIMENSIONS ARE IN INCHES SURFACE FINISH: TOLERANCES: 3 PLC ±.005 LINEAR: 2 PLC ±.010 ANGULAR: ±1°		FINISH: PAINT	DEBUR AND BREAK SHARP EDGES
DRAWN	NAME	SIGNATURE	DATE
CHK'D			
APPV'D			DO NOT SCALE DRAWING
MFG			SCALE: 1:16
Q.A			MATERIAL:
			WEIGHT:

TITLE:
**ATM UNIVERSAL/ATM-ODS
 -150 DOOR, SLOPED ASM**

DWG NO.
ATM-150 ODS Sloped ASM Dimension

SHEET 1 OF 1 REVISION -

A3