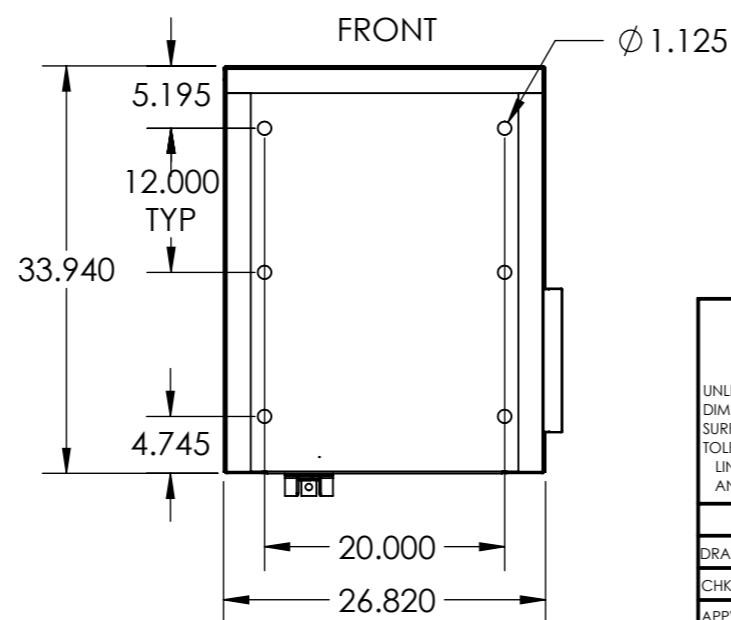
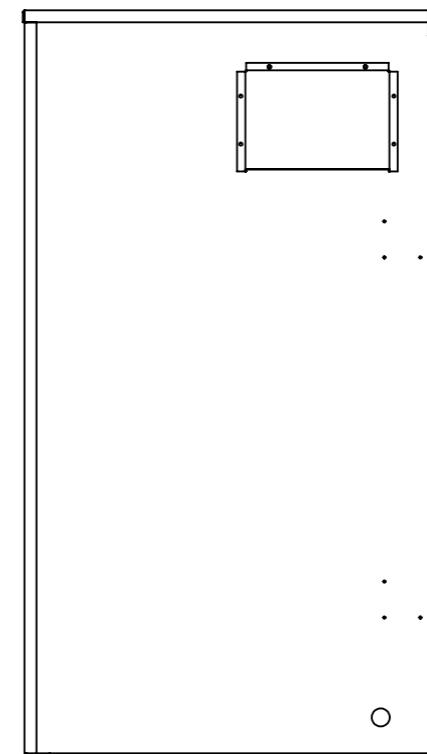
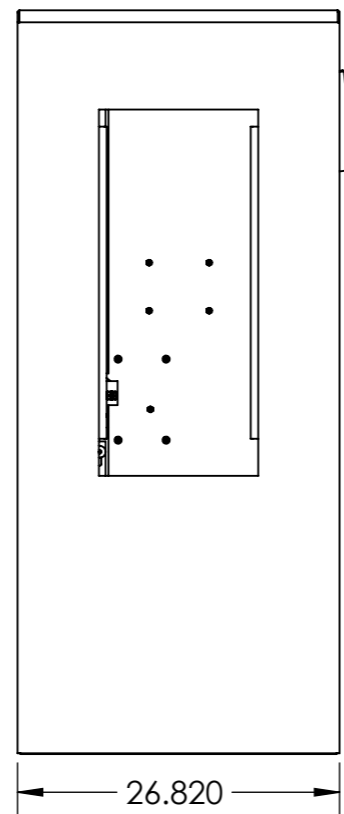
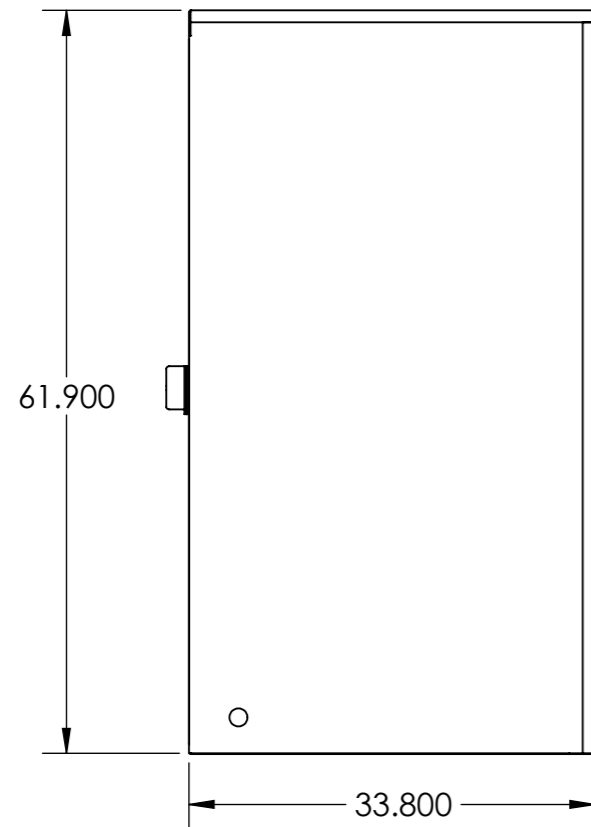


REVISION CHANGES:



LAST SAVED DATE: 1/22/2016

**TPI**  
 972-276-2901 FAX 972-276-3451  
 1136 N. FIRST ST. GARLAND, TX. 75040  
 www.tpitexas.com

UNLESS OTHERWISE SPECIFIED: DIMENSIONS ARE IN INCHES SURFACE FINISH: TOLERANCES: 3 PLC ±.005 LINEAR: 2 PLC ±.010 ANGULAR: ±1°		FINISH:  PAINT		DEBUR AND BREAK SHARP EDGES	
NAME	SIGNATURE	DATE			
DRAWN					
CHK'D					
APPV'D			DO NOT SCALE DRAWING		
MFG			SCALE:1:16		
Q.A			MATERIAL:		
			WEIGHT:		

TITLE:  ATM GENMEGA 3000	
DWG NO. GEN-3000 ASM Dimensions	A3
SHEET 1 OF 1	REVISION A