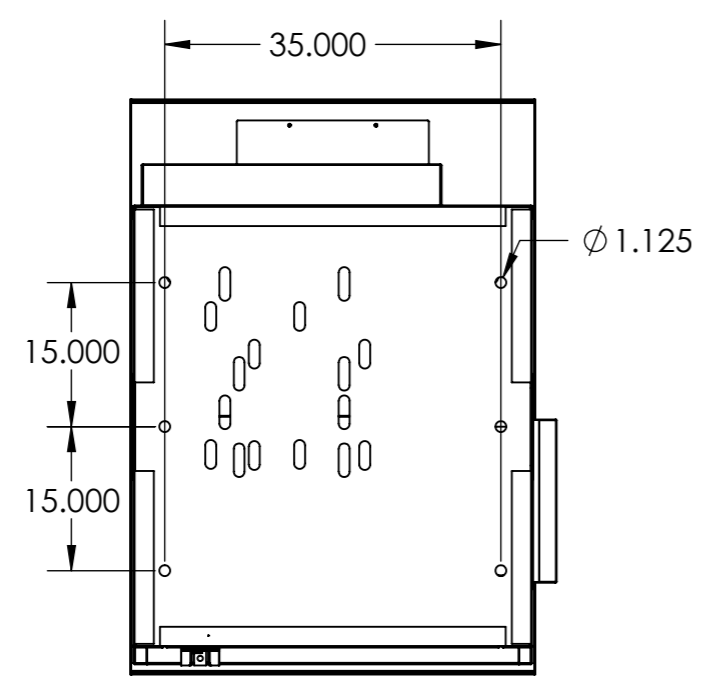
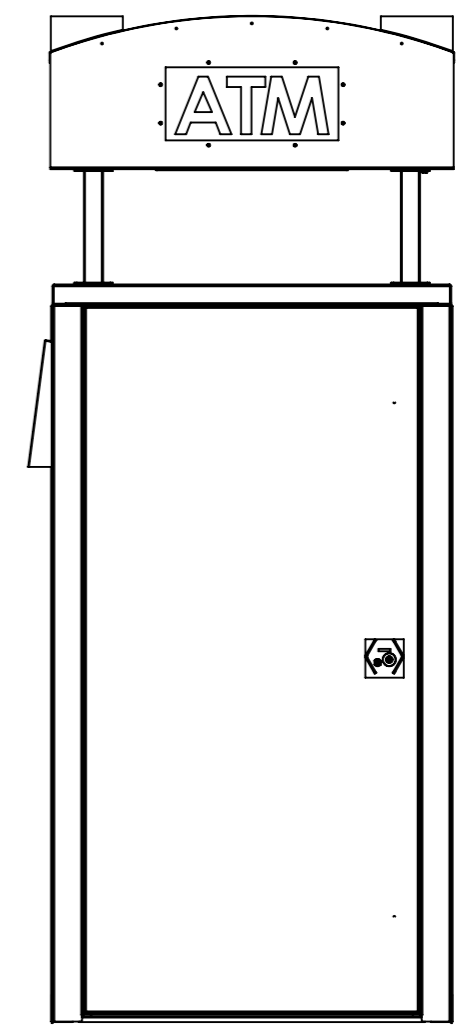
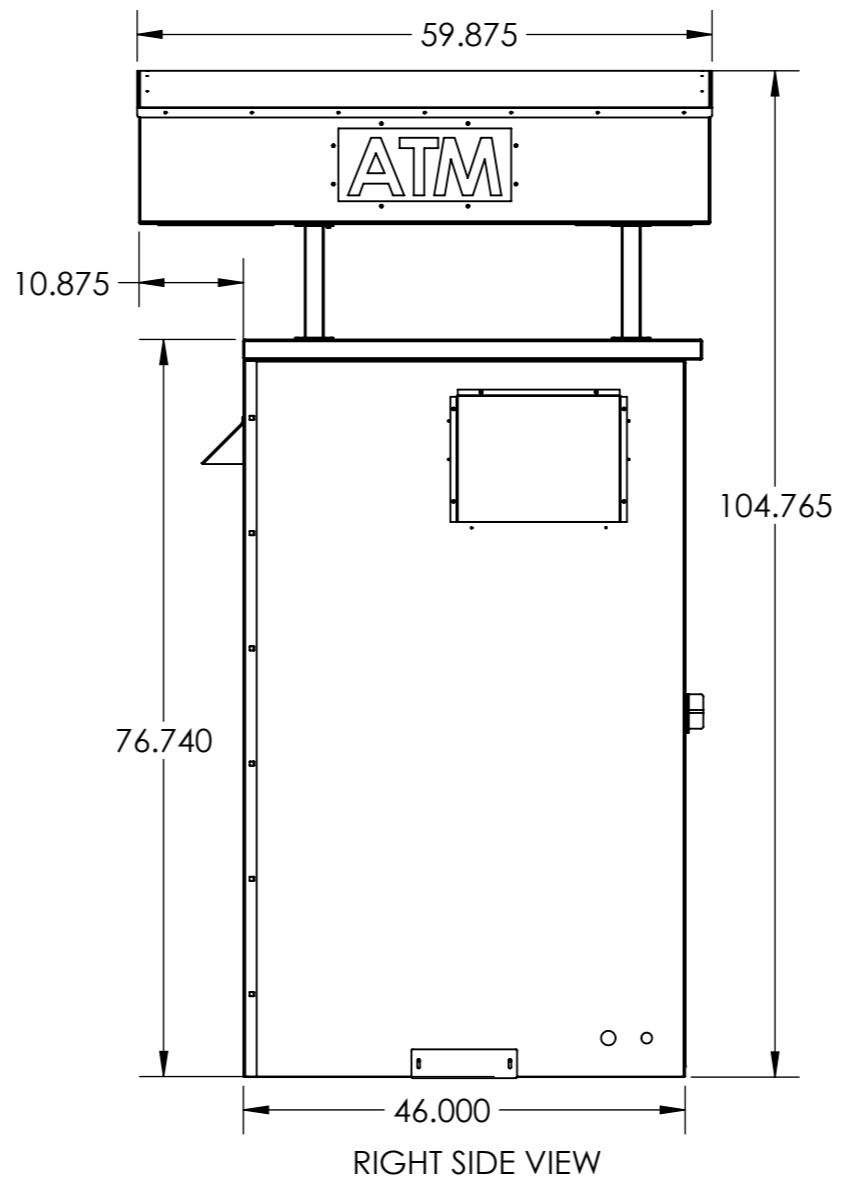
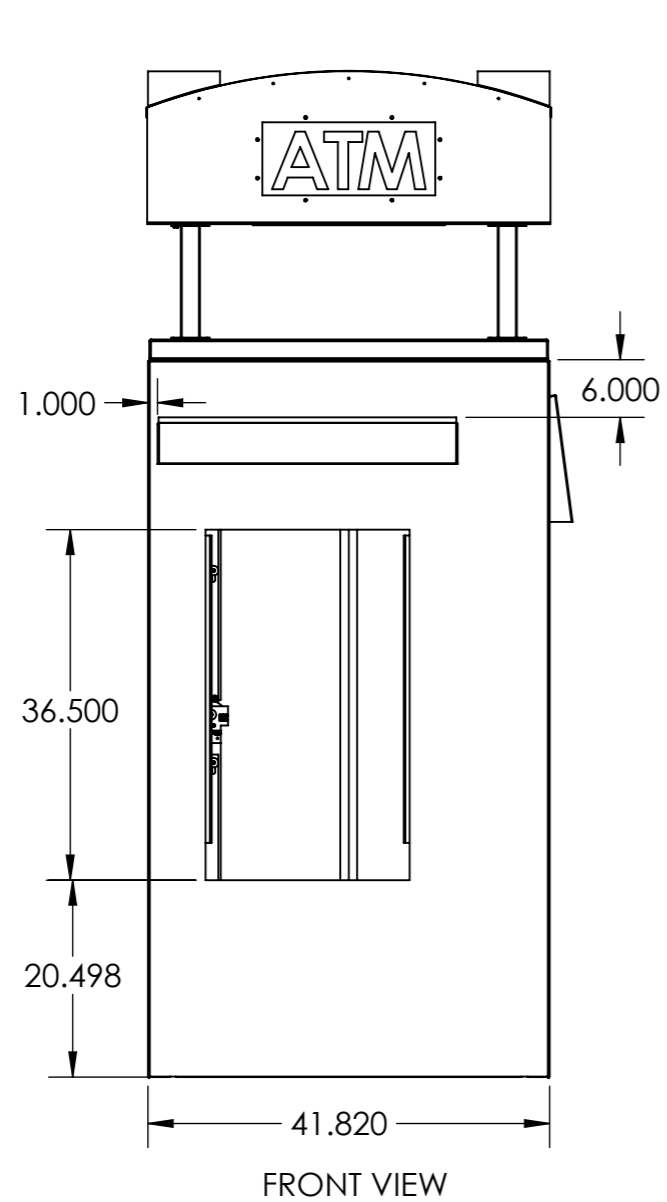


REVISION CHANGES:



LAST SAVED DATE: 7/27/2017

UNLESS OTHERWISE SPECIFIED: DIMENSIONS ARE IN INCHES SURFACE FINISH: TOLERANCES: 3 PLC ±.005 LINEAR: 2 PLC ±.010 ANGULAR: ±1°				FINISH: PAINT		DEBUR AND BREAK SHARP EDGES		<p>TPI 972-276-2901 FAX 972-276-3451 1136 N. FIRST ST. GARLAND, TX. 75040 www.tpitexas.com</p>	
DRAWN				SIGNATURE		DATE		TITLE:	
CHK'D								ATM/ATM-5000 ATM GT5000	
APPV'D						DO NOT SCALE DRAWING			
MFG						SCALE:1:20		DWG NO. ATM-5000 ASM DIMENSION	
Q.A						MATERIAL:			
						WEIGHT:		SHEET 1 OF 1	
								REVISION -	

A3